

E/NTES

Only **45 mm**
Depth

EMR SERIES NETWORK ANALYZERS

MODERN, STYLISH, RELIABLE

Slim&Compact Design

Only 45mm depth,
IP51 protection class

Ghost Display

Clear and understandable impressions

Best User Experience

New simple, functional
menu design with 4 buttons



Individual Harmonics and High Accuracy

Up to 31st individual harmonics.
High accuracy Class for Voltage,
Current, 1 Class for Energy and Power*

IoT Compatible

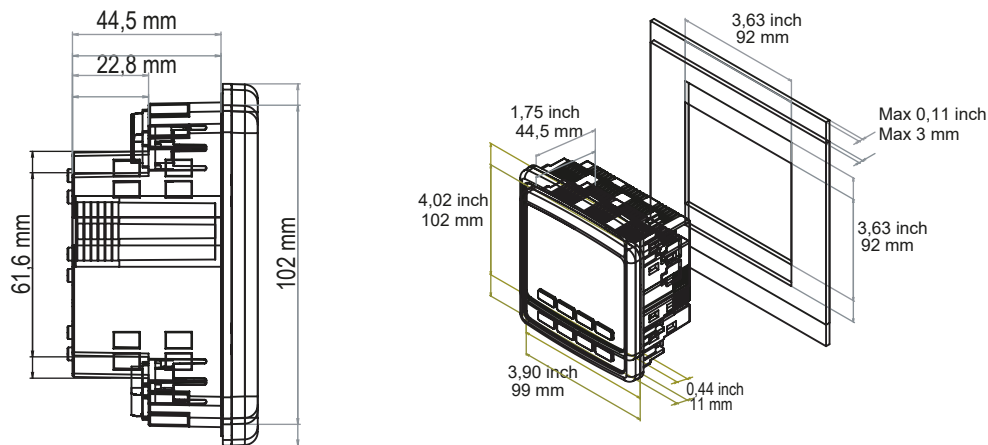
Instant monitoring and remote
configuration via ENTES.NET
Log record (2MB internal memory).*

Effective Alarm Management

Flexible alarm configurations, DI/DO
and alarm contact output.*

*Optional according to the device model

	EMR-04	EMR-04S	EMR-04SL	EMR-07	EMR-07L	EMR-07S	EMR-07SL	EMR-53	EMR-53S	EMR-53L	EMR-53SL	EMR-53CS	
Enclosure													
Dimensions	96x96x44,5 mm												
Protection Class	Protection class Inside panel: IP20 Protection class Outside panel: IP51												
Display	4x4 LED Display												
MASUREMENT													
Voltage													
Measurement Range	X	Up to 300 VAC(VLN) /480 VAC(VLL)											
Accuracy	X	1%											
CURRENT													
Measurement Range	X	0,05-5,5 A											
Accuracy	X	1%											
Frequency													
Accuracy	X	±0.02 Hz											
Cosφ													
Accuracy	± 0.02												
Power													
Accuracy	1%												
Energy													
Accuracy	1%												
Harmonics													
THD V/I	X					√							
Individual	X					15			31				
SUPPLY													
Operating Voltage	100-270 VAC (-15%+10%)												
Operating Frequency	50-60 Hz												
OUTPUT STRUCTURE													
Run Hour Meter	√			X	√	Optional	X					√	
Contact Output (Optional)	X												2
DI/O	√	Optional	√	X	√	Optional	√	Optional				√	
Memory													
Internal Memory	X	2MB	X	X	2MB	X	2MB	X	2MB	X	2MB		
COMMUNICATION													
Communication Protocol	X	√	Optional	X	√	√	X	2MB	X			√	
AMBIENT CONDITIONS													
Operating Temperature	20+70°C												
Storing Temperature	-30+80°C												
Max Humidity	%95												
IP Protection	IP 51												
STANDARDS													
EN 61326,61000-6-4,61000-6-2 emc EN 61010-1 Safety EN 60529 Mechanical EN 60068-2-1,60068-2-2,60068-2-30 Environmental													
CONNECTIONS													
Mounting	Front Panel Mounting												
Connection terminals	Screw Terminal with Socket												
Connection types	3P3W, 3P4W, Aron, 3P3W(B), 3P4W(B)												



HEADQUARTERS

Address: Dudullu OSB; 1. Cadde; No: 23 34776 Umraniye - ISTANBUL / TURKIYE Tel: +90 216 313 01 10 Fax: +90 216 314 16 15 Sales Fax: +90 216 365 71 71
E-mail: contact@entes.eu Web: www.entes.eu Call Center Technical Support: 0850 888 84 25 Coordinates: 40,995852 N, 29,178398 E

INTERNATIONAL BRANCH OFFICES

ISTANBUL : contact@entes.eu Tel: +90 216 313 01 10 Fax: +90 216 314 16 15
INDIA : contact@entes.in Tel: +91 981 - 2980004
GREECE : contact@entes.eu Tel: +30 2310 706999 +30 2310 707296
GERMANY : kontakt@enteselektronik.com Tel: +49(0) 7022-931992-0

© ENTES Elektronik Cihazlar İmalat ve Ticaret A.Ş.

